

LAMP HOLDERS



Introduction

Lampholder, The lamp is equipped with an Edison screw arrangement for connecting the electric lamp and connecting it to the electrical circuit via the lamp head screwed into it.

Edison screw system is used for electrical lamp feeding and circuit connection

The technical data required for selecting the right product in your product orders are given on the following pages.

Related Standards

TS EN 60238 , VDE 0616 , IEC 238 , DIN 49680

Certificates



ISO 9001 Quality Management System Certificate



EC Declaration of Conformity



KEMA certificate

Product Range

VOLTRANO[®] Trademarked Lampholders, according to TS EN 60238 are manufactured in 14 different types as 4A, 250 V, E27 Edison Screw Lampholders and 2 different type as 16A, 250V, E40 Edison screw lampholders according to the table below.

Product Range							
Standard	Voltage	Current	Product No	Product Name	LH Ring	Mounting	Terminal
EN 60238 - IEC 60238	250V AC	4A	31.1104.00	Pendant Lampholder	E 27	M2,6 Screw	Special profil with M2,6 screw
			31.2108.10	Nipple Lampholder	E 27	M10x1 Nipple	Special profil with M2,6 screw
			31.2108.20	Nipple Lampholder (*)	E 27	M10x1 Nipple	Special profil with M2,6 screw
			31.2108.30	Nipple Lampholder	E 27	R3/8" Nipple	Special profil with M2,6 screw
			31.2108.40	Nipple Lampholder (*)	E 27	R3/8" Nipple	Special profil with M2,6 screw
			31.2108.50	Nipple Lampholder	E 27	M13x1 Nipple	Special profil with M2,6 screw
			31.2108.60	Nipple Lampholder (*)	E 27	M13x1 Nipple	Special profil with M2,6 screw
			31.1530.00	Admiralty Lampholder	E 27	M3x Screw	Special profil with M3 screw
			31.1247.00	Ceiling Lampholder	E 27	Screw	Special profil with M2,6 screw
			31.1248.00	Wall Lampholder	E 27	Screw	Special profil with M2,6 screw
			31.3063.00	Ceiling Globe Lamph.	E 27	Screw	Special profil with M2,6 screw
			31.3065.00	Wall Globe Lamph.	E 27	Screw	Special profil with M2,6 screw
			31.1502.00	Universal Lampholder	E 27	M3x Screw	Special profil with M2,6 screw
		31.1502.20	Universal Lampholder	E 27	L-part	Special profil with M2,6 screw	
16A	31.1117.00	Universal Lampholder	E40	Screw	Special profil with M4 screw		
	31.1119.00	Universal Lampholder	E40	Screw	Special profil with M4 screw		

(*) Lampholders have a earthing terminal

Design and Quality

VOLTRANO[®] trademarked porcelain lampholders are manufactured with careful observance of the Turkish and international test regulations.

E27 Holders generally consist of three main parts: porcelain body, contact-part and E27 porcelain ring that carries the lamp with the socket of the socket containing the contacts. In some special cases these parts are combined to be produced as a monolithic (universal lampholder) or as a two-part (Admiralty Lampholder).

The insulating parts are made of glazed and unglazed ceramic materials which are resistant to heating, burning and different environmental conditions, while the conductive parts (contacts) are made of phosphor bronze material with passivated or nickel plated. For this reason, the **VOLTRANO**[®] branded lampholders have reduced the insulation resistance and electrical resistance over time or the reduction of protection against electric shock, loosening of the contact connections, cracking expansion, shrinkage or melting of the insulator. such as quality and life safety are very important in terms of distortion is not seen.

The maximum ambient temperatures for which the **VOLTRANO**[®] branded lampholders can be used without deterioration can be up to T 270 ° C for E27 and E40 lampholders. Random touching of connection terminals is avoided when connecting or disconnecting the lamp or when it is plugged in.

During lamp replacement or turning of the lampshade, the loosening or dislocation of the holder rings is prevented by the locking arrangement. Thanks to the connection with the terminals suitable for the contacts, the transition resistance is minimized. The voltage drop or power loss between the contact connection terminals is reduced far below the values specified in the standards.

For the **VOLTRANO**[®] branded lampholders, any type of lamp suitable for E27 and E40 edison screws can be installed. Special brass profile terminal blocks are used to connect conductors easily and safely. The central contact is supported by a steel spring to provide full contact contact in the lampholders.

The E27 lampholder terminals can be easily connected 0,5mm²-2,5mm², cross-section conductors and The E40 Lampholder terminals can be easily 1.5mm²-4mm² cross-section conductors.

Pendant lampholders

The pendant lampholders consists of the body, the contact-part, the E27 porcelain ring and the suspension spring. There is a suspension spring on the body. It is plastered with center and side contact connection terminals on the contact-part body. Metal ring is attached to the E27 porcelain ring. The metal ring makes it easy to screw the lamp to the body. The pendant lampholders are protected against rain and external influences. Pendant lampholders inserts are mounted with suspension ring where to use.

Nipple Lampholders

The nipple lampholders consist of the body, the contact-part and the E27 porcelain ring. Mounting flange (M10x1, M13x1 and R3/8") on the body. It is tuck up with center and side contact connection terminals on the contact-part body. Metal ring is attached to the E27 porcelain ring. The metal ring makes it easy to screw the lamp to the body. M10x1 Nipple lampholders are mounted with M10x1 screws where to use. M13x1 Nipple lampholders are mounted with M13x1 screws where to use. R3/8" Nipple lampholders are mounted with R3/8" screws where to use .

Admiralty lampholders

Admiralty lampholders consists of upper and lower body. The center and side contacts are connected to the lower body by means of terminals and screws. The upper body has a metal ring. The upper body is connected to the lower body by M3 screw. Admiralty lampholders inserts can be connected in parallel to special terminal block. Admiralty lampholders are mounted with M3 screws to the places where to use.

Ceiling and wall Lampholders

The ceiling and wall lampholders consist of the body, the contact-part and the E27 porcelain ring. It is truck up with center and side contact connection terminals on the contact-part body. Metal ring is attached to the E27 porcelain ring. The metal ring makes it easy to screw the lamp to the body. Ceiling and wall lampholders are mounted with Ø5 screws to the places where to use.

Ceiling and Wall Glob Sense

The ceiling and the wall globe lampholders consist of the body, the contact-part and E27 porcelain ring. Globe lampholders on the body against the external factors that serve to protect the glob glass is the thread. It is truck up with center and side contact connection terminals on the contact-part body. Metal ring is attached to the E27 porcelain ring. The metal ring makes it easy to screw the lamp to the body. In the globe lampholders protection against water and humidity is provided when the glop glass is fixed in the ceiling and wall globe lampholders. A globe glass with Ø84,5 mm can be fixed on the ceiling and wall globe lampholders.

The heat-resistant rubber gasket used between the porcelain body and the globe glass, it is ensured that the glass fits into the body and is compressed. Moisture and dust are prevented from entering the globe glass. Ceiling and wall globe lampholders is with protection class IP 41 while fixed globe glass. Ceiling and wall globe lampholders are mounted with Ø5 screws to the places where to use.

E27 Universal lampholders

E27 The universal lampholders are composed of one piece. Center and side contact are truck up with connection terminals on the body. Metal ring is attached to the threaded part on the body. The metal ring makes it easy to screw the lamp to the body. The E27 universal lampholders are mounted with an M3 screw or L-part.

E40 Universal Lights:

E40 Universal lampholders consist of one piece and has two different models, 1117 and 1119.

In the 1117 E40 Lampholders truck up center and side contact with copper alloy special nuts on the body. The copper alloy ring is mounted on the body with screws and nuts for to fix the lamp to the lampholder. The central contact is supported by a steel spring to ensure full contact contact. Cable connection is very easy with M4x11 water screws. 1117 E40 Universal lampholders are mounted to the place of use with Ø4 screws.

In the 1119 E40 Lampholders The central contact and side contact (E40 threaded ring) of the E40 lampholders are screwed into the body with screw and special nuts of copper alloy. To fix the lamp to the wall The copper alloy ring is mounted on the body with screws and nuts. The central contact is supported by a steel spring to ensure full contact contact. 1119 E40 Universal lampholders are mounted with Ø4 screws where to use.

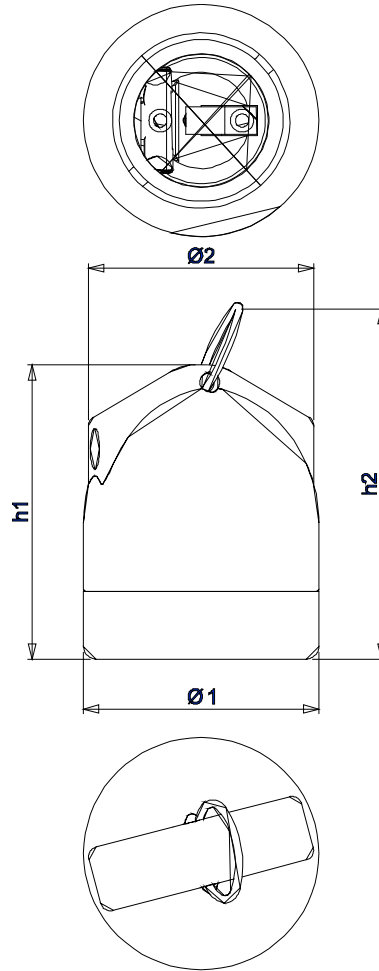
Technical specifications

Standards	TS EN 60238 , IEC 60238, VDE 0616							
Products		31.1104.00	31.2108.10		31.1247.00	31.3063.00	31.1502.00	31.1117.00
		31.2108.60	31.1530.00		31.1248.00	31.3065.00	31.1502.20	31.1119.00
Rated current In	A	4	4	4	4	4	4	16
Rated voltage Un	V AC	250	250	250	250	250	250	250
High voltage Ue	kV AC	2,5	2,5	2,5	2,5	2,5	2,5	2,5
Impulse voltage U	kV AC	5	5	5	5	5	5	5
Contact materal		Phosphor bronze	Phosphor bronze	Phosphor bronze	Phosphor bronze	Phosphor bronze	Phosphor bronze	Copper Alloy
Contact coating		Passivation	Passivation	Nickel	Passivation	Passivation	Passivation	Nickel
Connection		M2,6 Screw	2,6 Screw	M3 Screw	2,6 Screw	2,6 Screw	2,6 Screw	M4 Screw
Connection cross	mm ²	1,5	1,5	1,5	1,5	1,5	1,5	2,5
Tigtening torque	Nm	0,4	0,4	0,4	0,4	0,4	0,4	1,2
Mounting		Suspension	Nipple	Screw	Screw	Screw	L-part, Screw	Screw

PENDANT LAMP HOLDER



Description	Mounting	Product No	Pcs/C	kg/Cart.
Spring connection	Suspension	31.1104.00	10	1,20



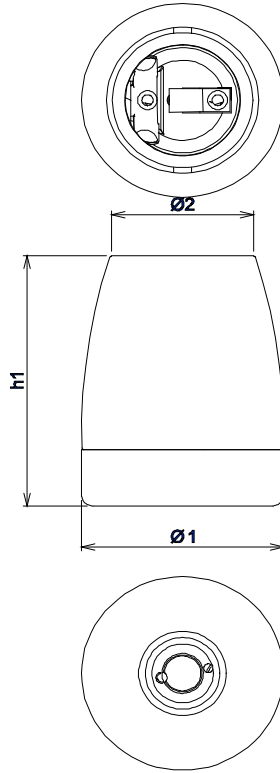
Current In A	Voltage Un V	Type	Lamph. Screw E	battom Diamater Ø1	Top Diameter Ø2	Heigh h1	Total heigh h2	Mounting axis X	Mounting axis Y	Mounting Hole Ød	Mounting Connection
4	250	31.1104.00	E27	46	44	59	70				Suspension

NIPPLE LAMP HOLDERS



Description	Mounting	Product No	Pcs/C	kg/Cart.
M10x1 Screw	M10x1 Nipple	31.2108.10	10	1,36
M10x1 Screw	M10x1 Nipple	31.2108.20	10	1,36
R3/8 screw	R3/8" Nipple	31.2108.30	10	1,36
R3/8 screw	R3/8" Nipple	31.2108.40	10	1,36
M13x1 screw	M13x1 Nipple	31.2108.50	10	1,36
M13x1 screw	M13x1 Nipple	31.2108.60	10	1,36

31.2018.20-40-60 lampholders are with earthing terminal

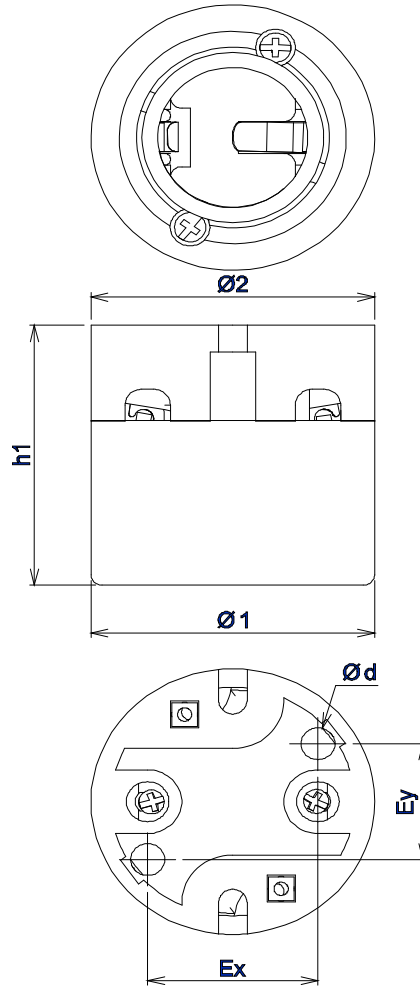


Current In A	Voltage Un V	Type	Lamph. Screw E	battom Diameter Ø1	Top Diameter Ø2	Heigh h1	Total heigh h2	Mounting axis X	Mounting axis Y	Mounting Hole Ød	Mounting Connection
4	250	31.2108.10	E27	46	33	59					M10x1 Nipple
4	250	31.2108.20	E27	46	33	59					M10x1 Nipple
4	250	31.2108.30	E27	46	33	59					R3/8" Nipple
4	250	31.2108.40	E27	46	33	59					R3/8" Nipple
4	250	31.2108.50	E27	46	33	59					M13x1 Nipple
4	250	31.2108.60	E27	46	33	59					M13x1 Nipple

ADMIRALTY LAMPHOLDER



Description	Mounting	Product No	Pcs/C	kg/Cart.
Screw connection	2xM3 Screw	31.1530.00	10	1,30

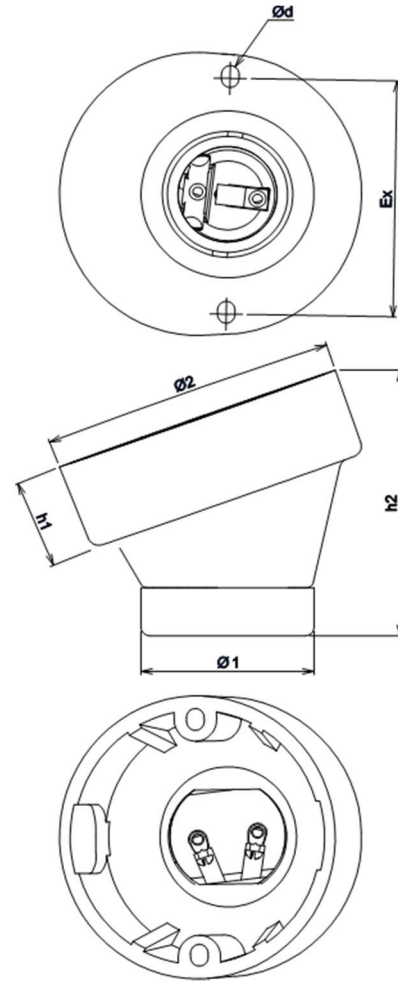
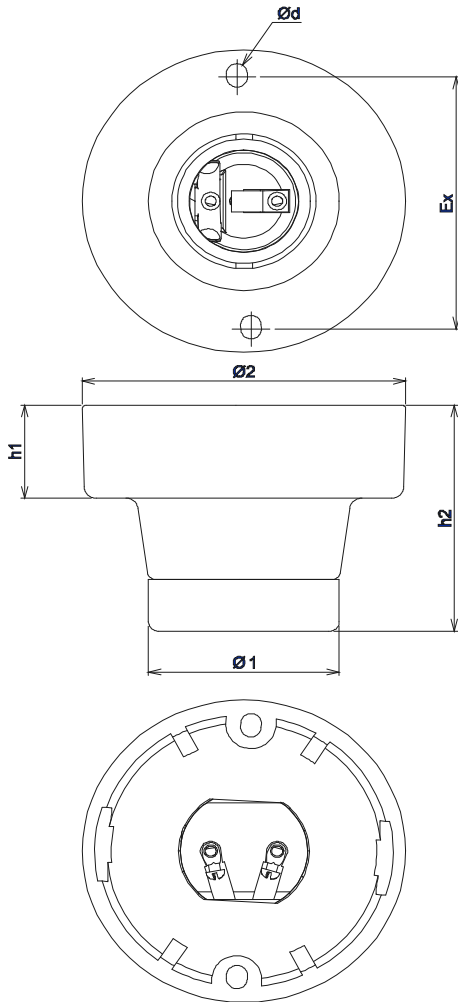


Current In A	Voltage Un V	Type	Lamp. Screw E	battom Diameter $\text{Ø}1$	Top Diameter $\text{Ø}2$	Heigh h1	Total heigh h2	Mounting axis X	Mounting axis Y	Mounting Hole $\text{Ø}d$	Mounting Connection
4	250	31.1530.00	E27	50	50	49		30	22	6	$\text{Ø}5$ Screw

CEILING AND WALL LAMP HOLDERS



Description	Mounting	Product No	Pcs/C	kg/Cart.
Screw connection	2xScrew	31.1247.00	10	2,00
Screw connection	2x Screw	31.1248.00	10	2,10

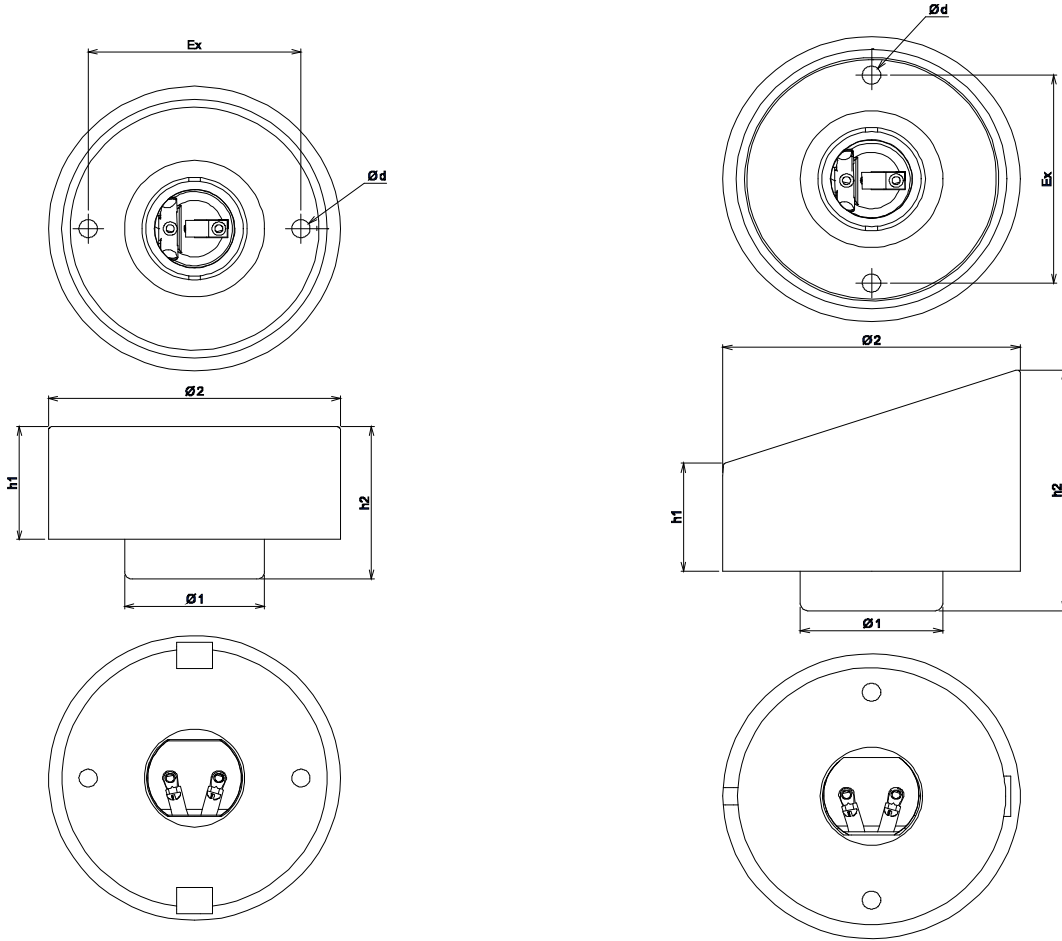


Current In A	Voltage Un V	Type	Lamph. Screw E	battom Diamater Ø1	Top Diameter Ø2	Heigh h1	Total heigh h2	Mounting axis X	Mounting axis Y	Mounting Hole Ød	Mounting Connection
4	250	31.1247.00	E27	46	78	24	59	65		5	Ø5 Screw
4	250	31.1248.00	E27	46	78	24	74	65		5	Ø5 Screw

CEILING AND WALL GLOBE LAMP HOLDERS



Description	Mounting	Product No	Pcs/C	kg/Cart.
Screw connection	2xScrew	31.3063.00	10	3,20
Screw connection	2xScrew	31.3065.00	10	3,20

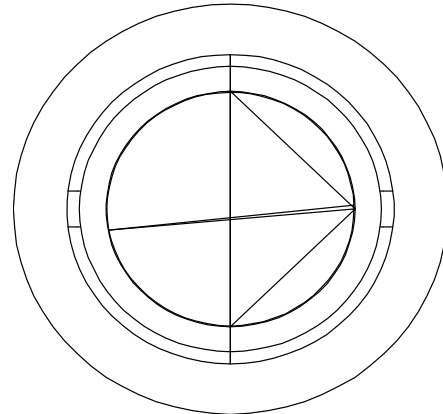
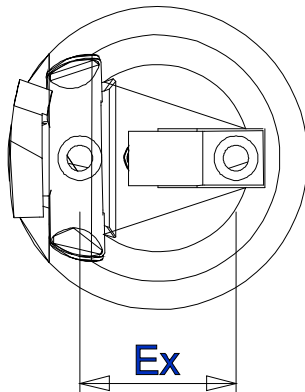
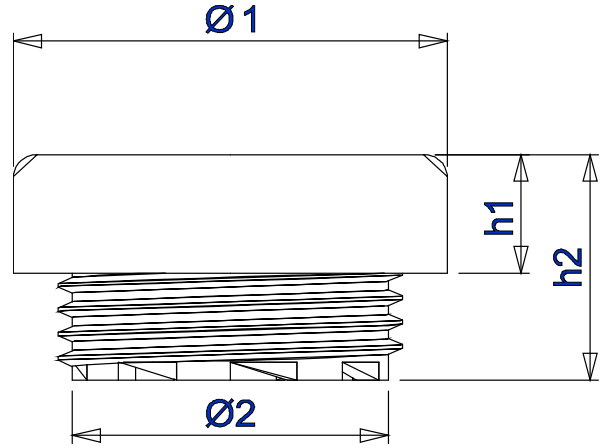
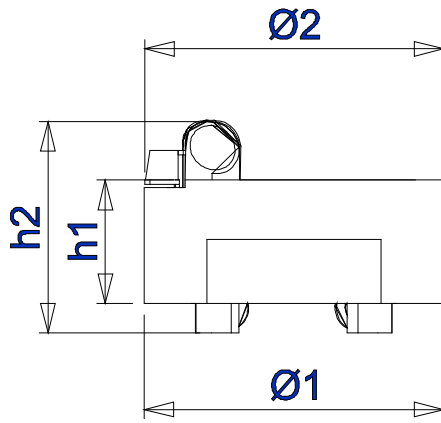


Current In A	Voltage Un V	Type	Lamph. Screw E	battom Diamater Ø1	Top Diameter Ø2	Heigh h1	Total heigh h2	Mounting axis X	Mounting axis Y	Mounting Hole Ød	Mounting Connection
4	250	31.3063.00	E27	46	96	38	52	70		6	Ø5 Screw
4	250	31.3065.00	E27	46	96	68	80	70		6	Ø5 Screw

CONTACT PART AND E27 RING



Description	Mounting	Product No	Pcs/C	kg/Cart.
Contact part	2xM2,6 Screw	39.1104.08		
E27 Porcelain Ring	Special	39.1104.09		

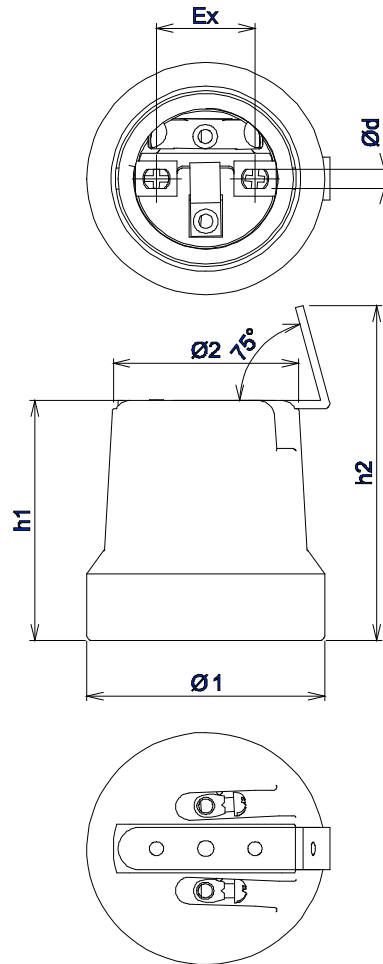
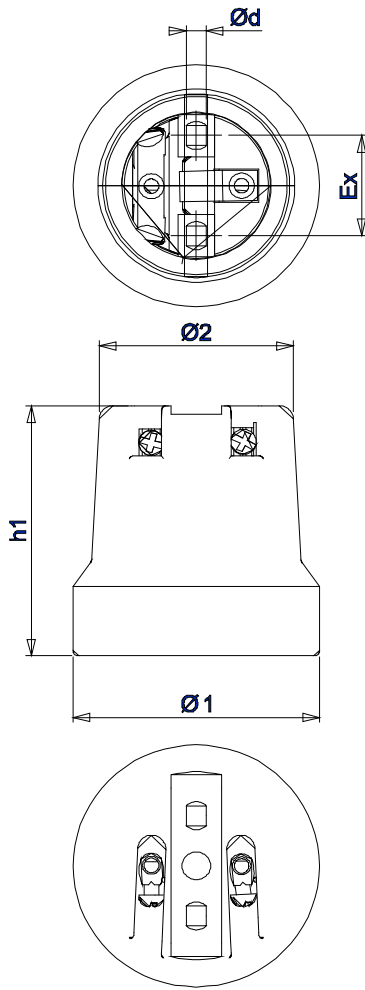


Current In A	Voltage Un V	Type	Lamph. Screw E	battom Diamater Ø1	Top Diameter Ø2	Heigh h1	Total heigh h2	Mounting axis X	Mounting axis Y	Mounting Hole Ød	Mounting Connection
4	250	39.1104.08		31	31	13	22	16			M2,6 Screw
4	250	39.1104.09	E27	46	32	13	26				

E 27 UNIVERSAL LAMPHOLDERS



Description	Mounting	Product No	Pcs/C	kg/Cart.
Screw connection	2xM3 Screw	31.1502.00	50	3,50
With L part	With L part	31.1502.20	10	0,75

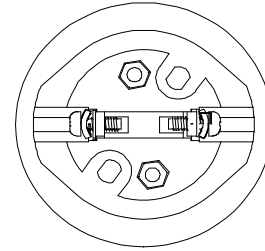
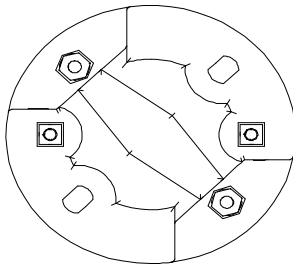
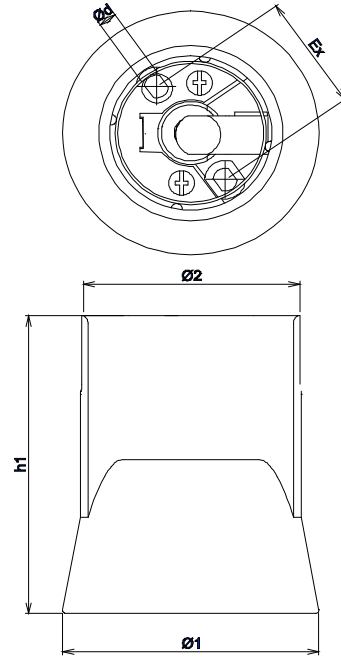
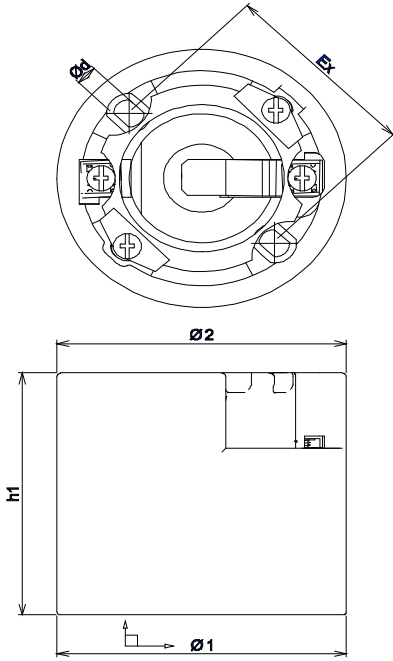


Current In A	Voltage Un V	Type	Lamph. Screw E	battom Diamater Ø1	Top Diameter Ø2	Heigh h1	Total heigh h2	Mounting axis X	Mounting axis Y	Mounting Hole Ød	Mounting Connection
4	250	31.1502.00	E27	44	35	45		18		3,5	Ø3 Screw
4	250	31.1502.20	E27	44	35	45	63	18		3,5	Ø3 Screw

E 40 UNIVERSAL LAMP HOLDERS

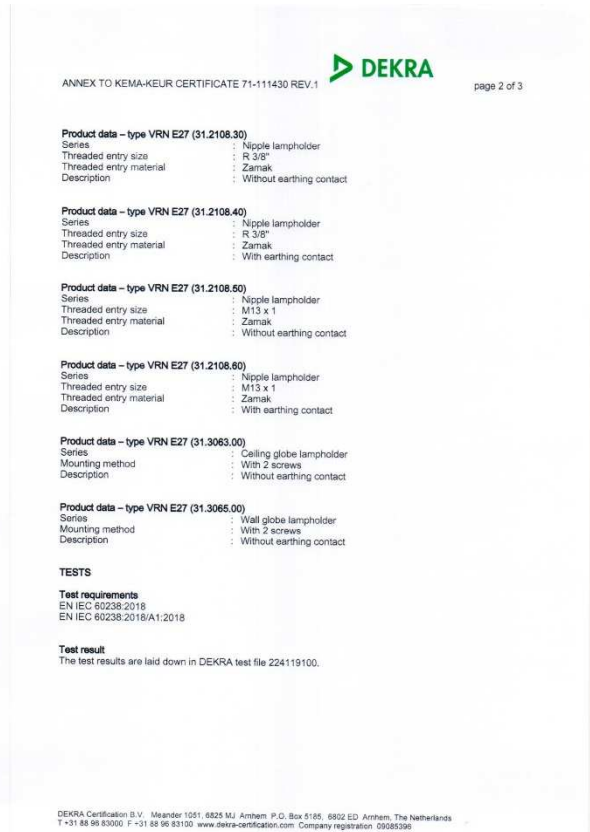


Açıklama	Montaj Şekli	Ürün No	Ad/K	kg/Kutu
Vida bağlantılı	2xVida	31.1117.00	10	3,50
Vida sıkma	2xVida	31.1119.00	10	3,20



Current In A	Voltage Un V	Type	Lamph. Screw E	bottom Diamater Ø1	Top Diameter Ø2	Heigh h1	Total heigh h2	Mounting axis X	Mounting axis Y	Mounting Hole Ød	Mounting Connection
16	250	31.1117.80	E40	72	72	68		52		5,5	Ø5 Screw
4	250	31.1119.00	E40	70	59	85		33		5,5	Ø5 Screw

LAMP HOLDERS KEMA CERTIFICATIONS



ISO 9001 QUALITY MANAGEMENT SYSTEM CERTIFICATE

09 200670

CERTIFICATE

No. 902089



This is to certify the Quality Management System of

VOLTRAN ELEKTROTEKNIK SANAYI VE TICARET A.S.
IKITELLI OSB MARMARA SANAYI SITESI L-BLOK NO: 17
KUCUKCEKMECE
34307 ISTANBUL
TURKEY

has been assessed and found to be in compliance with the Standard

ISO 9001:2015

applicable to

DESIGN AND PRODUCTION OF KALEPORSELEN AND VOLTRANO BRANDED HRC-LV FUSE LINKS, HRC-LV FUSE BASES, HRC-LV FUSE SWITCH DISCONNECTORS, LAMPHOLDERS LIGHTING FITTINGS, MINIATURE CIRCUIT BREAKERS, RESIDUAL CURRENT CIRCUIT BREAKERS AND DISTRIBUTION BOARDS.

The certificate has been issued under No. **902089 (version 5)** for the registration period from 09 September 2019 to 18 January 2021. The first certificate date of issue is 19 January 2015.


Approved by


Printed by



validity code **2105DF45-96D**
Check the validity of this certificate using this code at www.ll-c.info

www.ll-c.net

LL-C (Certification) Czech Republic a.s. | Pobřežní 620/3, 186 00 Praha 8



İkitelli OSB Marmara Sanayi Sitesi
L-Blok No: 17 34307-Küçükçekmece
İSTANBUL

T +90 212 698 95 80
F +90 212 698 95 97
www.voltranelektro.com.tr
info@voltranelektro.com.tr

Authorized Dealer:

