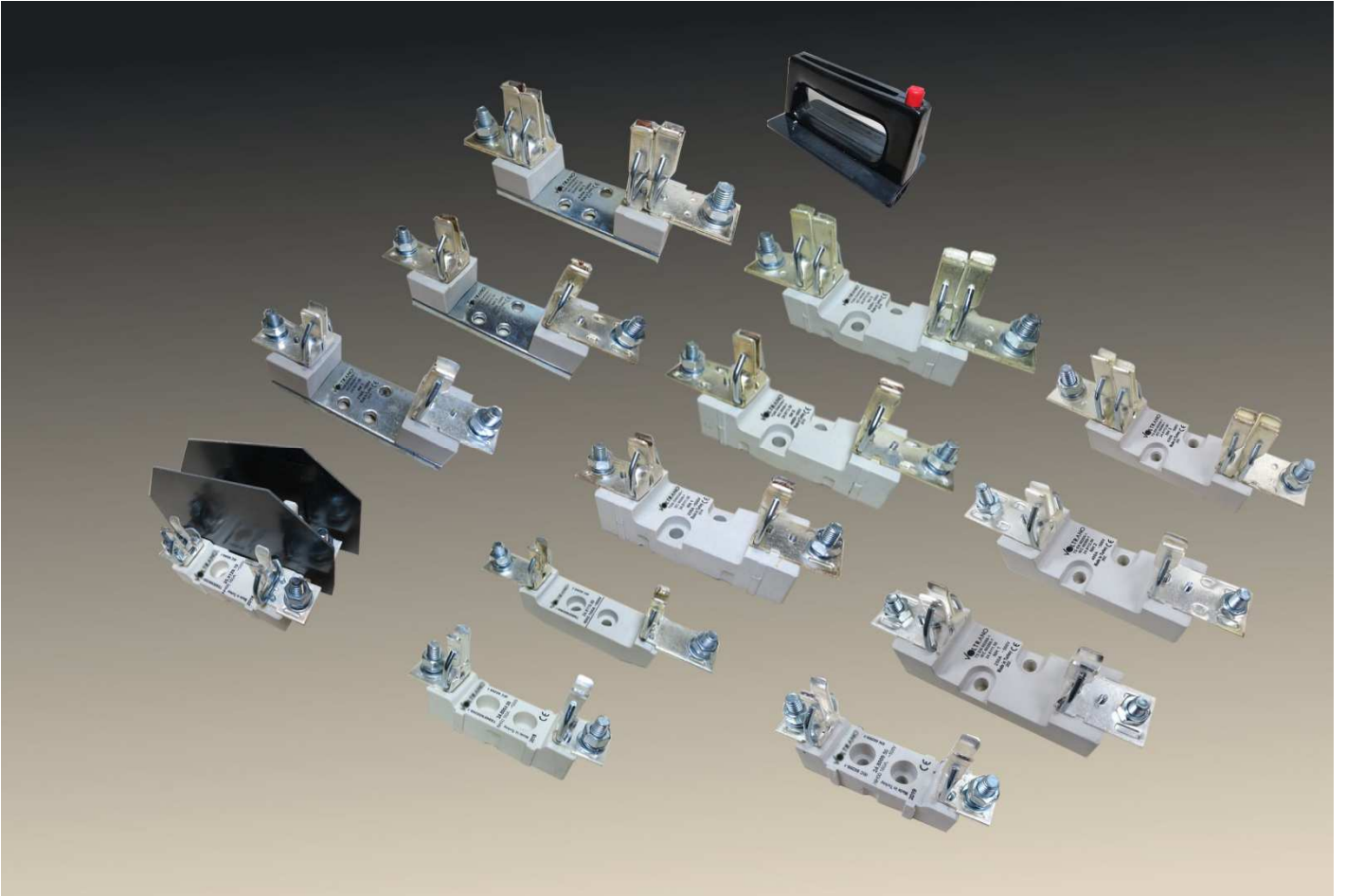


## LV-HRC FUSE BASES



## Introduction

**VOLTRANO**<sup>®</sup> branded low voltage NH Fuse Bases use state-of-the-art technology to ensure reliability and performance. Low voltage NH Fuse Bases are produced in accordance with the requirements and dimensions specified in TS EN 6026-1 / -2

## LV HRC Fuse Bases

In low voltage fuse systems, the fuse is the part that carries the bushing and connections.

## Related Standards

TS EN 60269-1,  
IEC 60269-1, IEC 60269-2-1,  
DIN EN 60269-1 (VDE 0636-1)  
DIN VDE 0636-2 (VDE 0636-2)

## Certificates



ISO 9001 Quality Management System Certificate



EC Declaration of Conformity

## Product Range

**VOLTRANO**<sup>®</sup> Trademarked LV-HRC fuse bases are manufactured in AC 500V , DC 440V 00-0--1--2 and size 3 according to the dimensions of the fuse bases from 160A to 630A.

LV HRC Fuse bases are manufactured in the following sizes and with rated current :

Product Range								
Standard	Voltage	Current	Size	Poles	Product No	Product Name	Base Body	Terminal
IEC 60269- 1/-2	500V AC	160	00	1P	24.8009.50	Size 00 Fuse base	Steatite	M8 Screw
				1P	24.9009.50	Size 00 Fuse base	BMC	M8 Screw
		160	0	1P	24.8110.50	Size 0 Fuse base	Steatite	M8 Screw
				1P	24.8011.50	Size 1 Fuse base	Metal	M10 Screw
		250	1	1P	24.8111.50	Size 1 Fuse base	Steatite	M10 Screw
				1P	24.9111.50	Size 1 Fuse base	BMC	M10 Screw
	440V DC	400	2	1P	24.8012.50	Size 2 Fuse base	Metal	M10 Screw
				1P	24.8112.50	Size 2 Fuse base	Steatite	M10 Screw
		400	2	1P	24.9112.50	Size 2 Fuse base	BMC	M10 Screw
				1P	24.8013.50	Size 3 Fuse base	Metal	M12 Screw
		630	3	1P	24.8113.50	Size 3 Fuse base	Steatite	M12 Screw
				1P	24.9113.50	Size 3 Fuse base	BMC	M12 Screw
	160	00	3 P	25.8129.10	Size 00 3P Fuse Base	Steatite	M8 Screw	
		00...3		29.8023.00	Handle	Bakalite		

## Design and Quality

**VOLTRANO**<sup>®</sup> Trademarked **LV HRC Fuse Bases** are suitable for LV HRC fuse links 500 V AC and 440V DC.

**VOLTRANO**<sup>®</sup> Trademarked **LV HRC Fuse Bases** are available for delivery with the features shown in the following table of single pole bases in size 00 as well as all triple pole bases can be closely mounted in parallel rows. Normal partition-walls-available separately-have then to be fastened and locked into place in the gaps occurring at the grooves.

**VOLTRANO**<sup>®</sup> Trademarked **LV HRC Fuse Bases** in size 00 and 1-2-3 BMC and steatite base and 0 have a one piece steatite base, in size 1-2-3 sheet steel base plate with two ceramic bases. The contact springs of electrolytic copper have been shaped from one piece, come equipped with hard silver surface and are solid and passivated.

Strong external spring suspension has been ensured by permanently attached steel springs whose spring tension exceeds the internal suspension of the contact part by a multiple. The contacts are hence not susceptible to high thermal stress.

## Technical specifications

LV HRC FUSE BASES						
Standards		TS EN 60269-1-2 , IEC 60269-1-2 DIN VDE 0636-2				
Size		000/00	0	1	2	3
Rated current In	A	160	160	250	400	630
Rated voltage Un	V AC	500	500	500	500	500
	V DC	250	440	440	440	440
Rated short-circuit strength	kA AC	120	120	120	120	120
	kA DC	25	25	25	25	25
Flat Terminal	Screw	M8	M8	M10	M10	M12
	Nut	M8	M8	M10	M10	M12
max. tightening torque	Nm	12	12	38	38	38
cross section up to	mm <sup>2</sup>	95	95	150	300	2x40x5

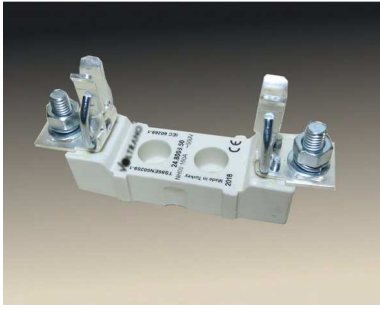
One piece ceramic body use,

- \* High mechanical strength using one piece ceramic body,
  - \* Better electrical insulation by eliminating the iron mounting plate,
  - \* Easy to design and application depending on ceramic features
- Provided.

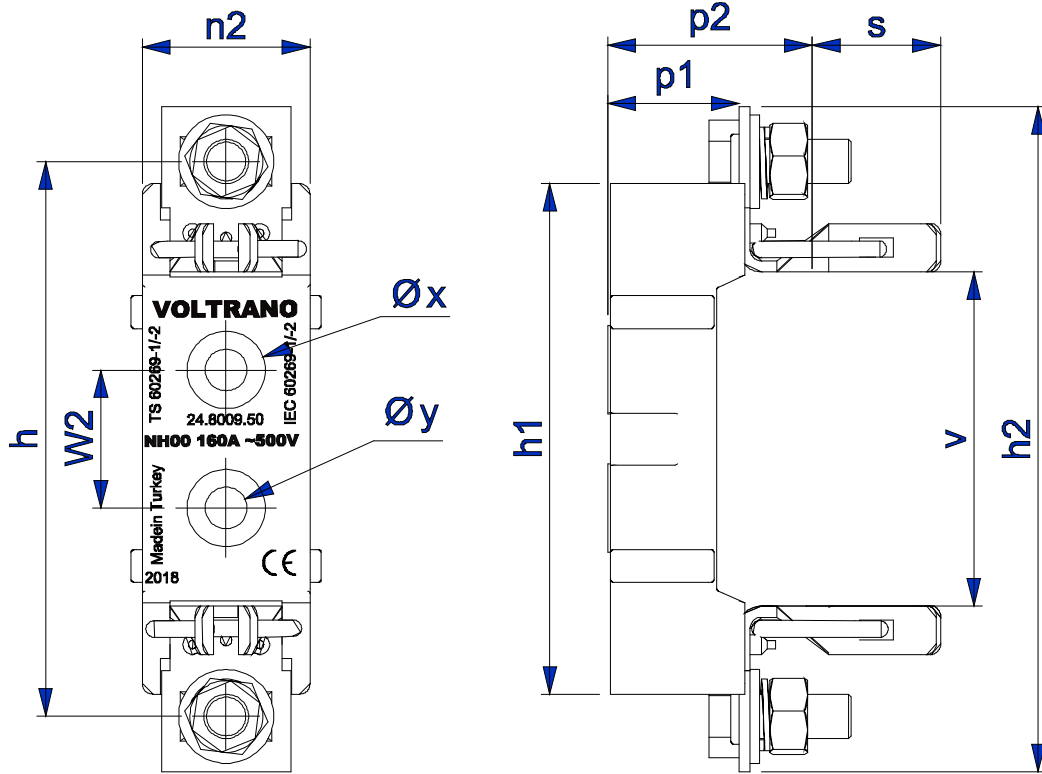
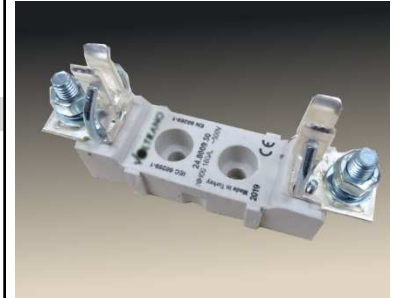
One-piece copper contact;

- \* Good contact with fuse blades on large surfaces,
  - \* Increasing the electrical conductivity by covering the surface silver,
  - \* Maximum contact pressure with strong clamping provided by steel springs,
- Provided.

**SIZE 00 LV HRC FUSE BASES**

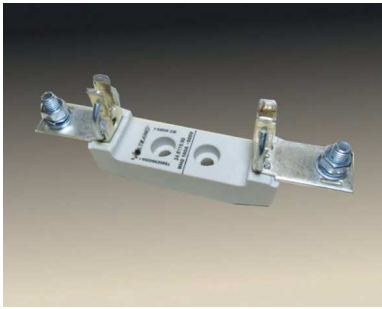


Size	Current	Product No	Pcs/C	kg/Cartron	Base body
00	160	24.8009.50	5	1,15	Steatite
00	160	24.9009.50	5	0,85	BMC

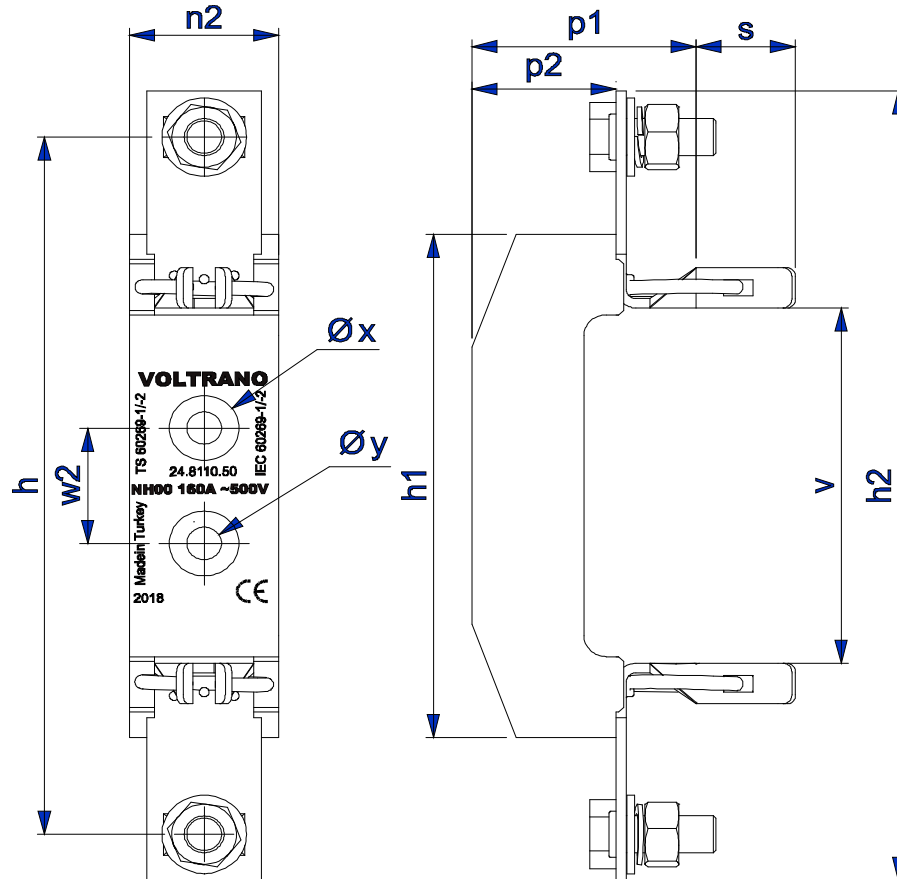
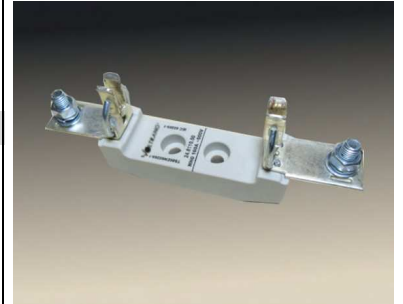


Size	In A	Poles P	Terminal	Measure Type	100	---	---	30	40	---	21	56,5	0	25	14	7,5
					±1,5			max	mak	±1,5	max	±1,5	±0,7	±0,7	min	±0,5
00	160	1	M8 Screw	24.8009.50	100	92,5	120,5	30	38	23	21	57	0	25	14	7,5
00	160	1	M8 Screw	24.9009.50	100	92,5	120,5	30	38	23	21	57	0	25	14	7,5

**SIZE 0 LV HRC FUSE BASES**

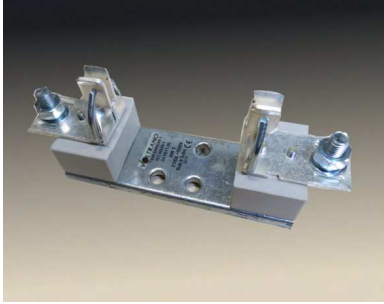


Size	Current	Product No	Pcs/C	kg/Cartron	Base body
0	160	24.8110.50	5	1,50	Ceramic

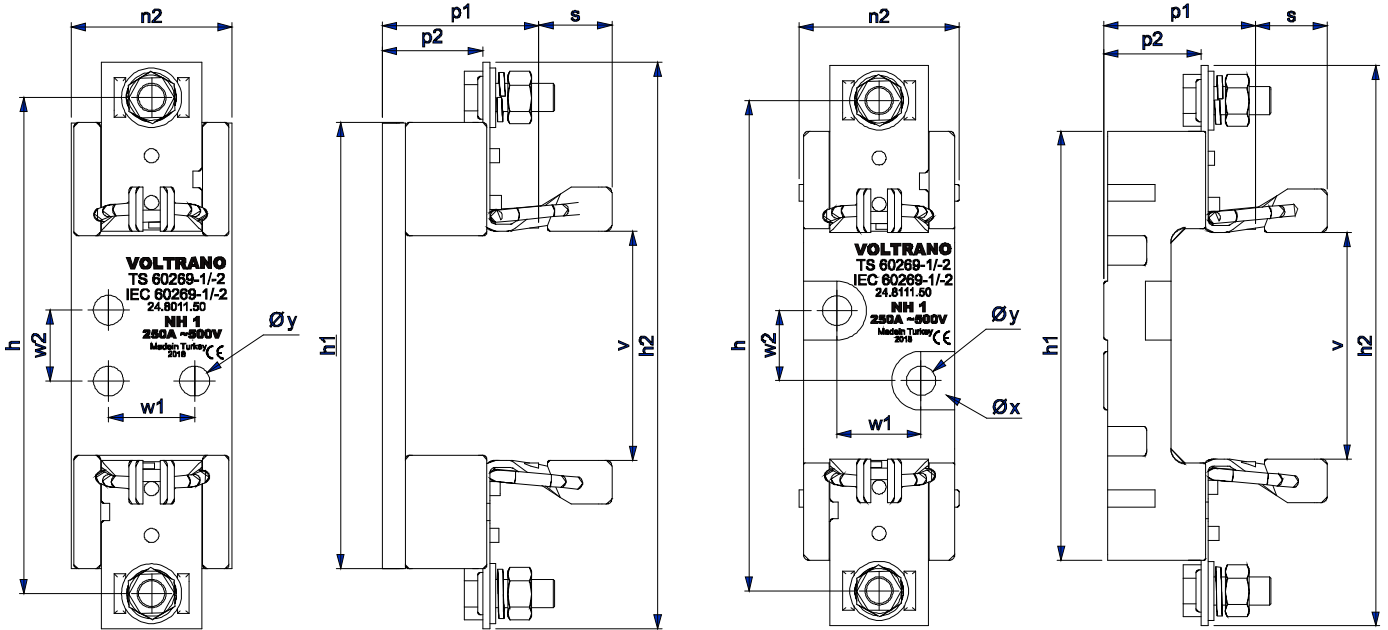


Size	In A	Poles P	Terminal	Standard Measure Type	h	h1	h2	n2	p1	p2	s	v	w1	w2	x	y
					150	---	---	48	48	---	25	74	0	25	14	7,5
0	160	1	M8 Screw	24.8110.50	±1,5			max	mak	±1,5	max	±3	±0,7	±0,7	min	±0,5
0	160	1	M8 Screw	24.8110.50	150	92,5	120,5	30	38	23	21	75	0	25	14	7,5

**SIZE 1 LV HRC FUSE BASES**



Size	Current	Product No	Pcs/C	kg/Cartron	Base body
1	250	24.8011.50	5	3,60	Metal
1	250	24.8111.50	5	4,20	Steatite
1	250	24.9111.50	5	2,55	BMC

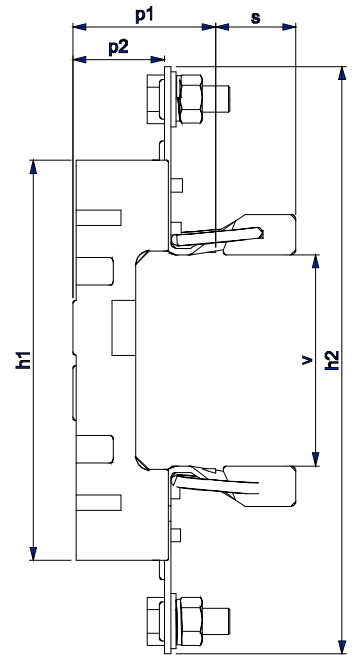
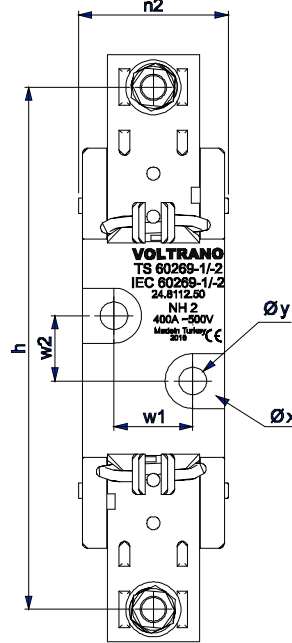
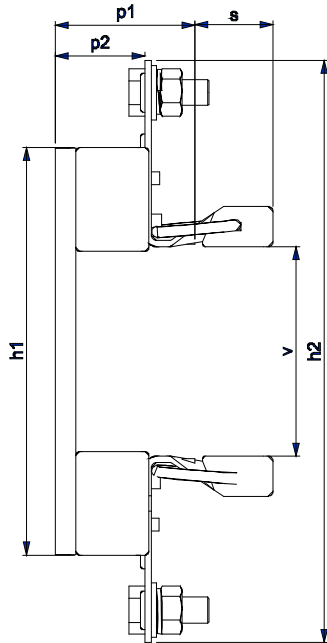
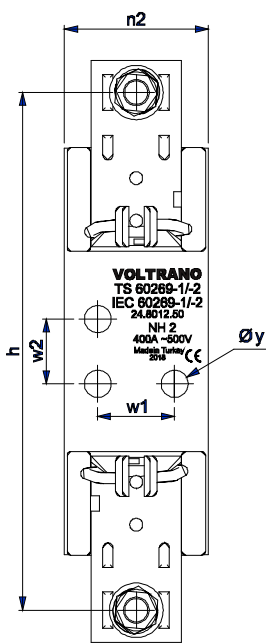
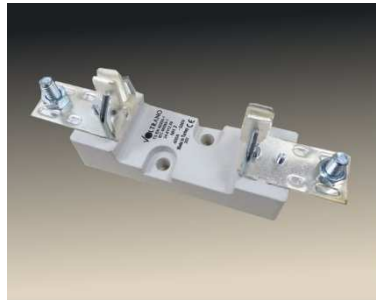


Size	In A	Poles P	Terminal	Standard Measure	h	h1	h2	n2	p1	p2	s	v	w1	w2	x	y
					±1,5			max	mak	±1,5	max	±3	±0,7	±0,7	min	±0,5
1	250	1	M10 Screw	24.8011.50	175	153	200	54	54,5	35	24,5	80	30	25	21	11
1	250	1	M10 Screw	24.8111.50	175	153	200	57	54,5	35	24,5	80	30	25	21	11
1	250	1	M10 Screw	24.9111.50	175	153	200	57	54,5	35	24,5	80	30	25	21	11

**SIZE 2 LV HRC FUSE BASES**



Size	Current	Product No	Pcs/C	kg/Carton	Base body
2	400	24.8012.50	3	2,40	Metal
2	400	24.8112.50	3	2,70	Steatite
2	400	24.9112.50	3	1,64	BMC



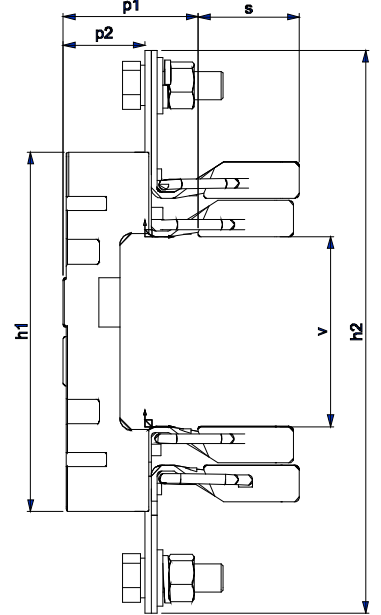
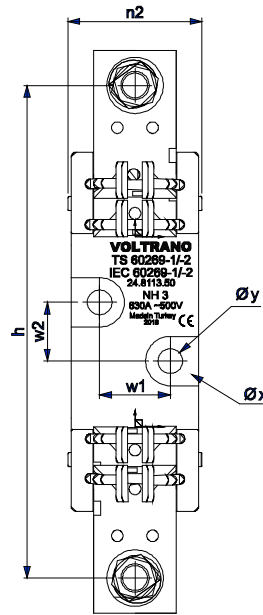
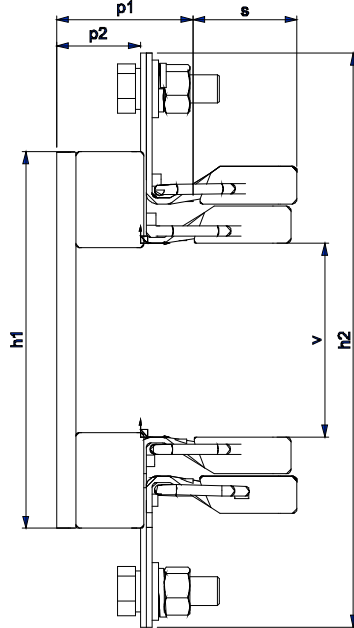
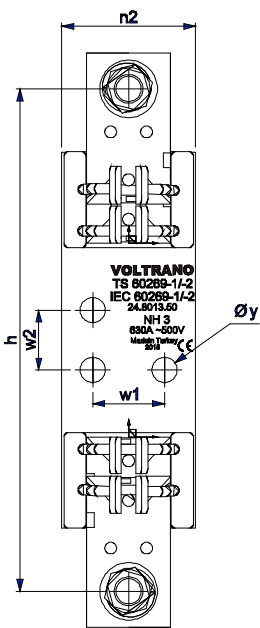
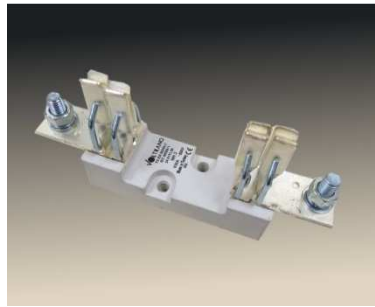
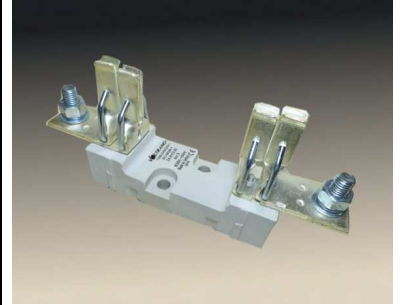
Size	In A	Poles P	Terminal	Standard Measure Type	h	h1	h2	n2	p1	p2	s	v	w1	w2	x	y
					±1,5	---	---	68	60	35	46	80	30	25	20	10,5
2	400	1	M10 Screw	24.8012.50	200	153	225	54	54,5	35	30,5	80	30	25	21	11
2	400	1	M10 Screw	24.8112.50	200	153	225	57	54,5	35	30,5	80	30	25	21	11
2	400	1	M10 Screw	24.9112.50	200	153	225	57	54,5	35	30,5	80	30	25	21	11



**SIZE 3 LV HRC FUSE BASES**



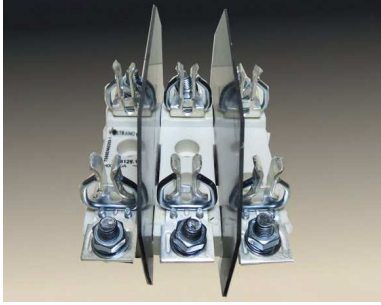
Size	Current	Product No	Pcs/C	kg/Carton	Base body
3	630	24.8013.50	3	3,10	Metal
3	630	24.8113.50	3	3,60	Steatite
3	630	24.9113.50	3	3,60	BMC



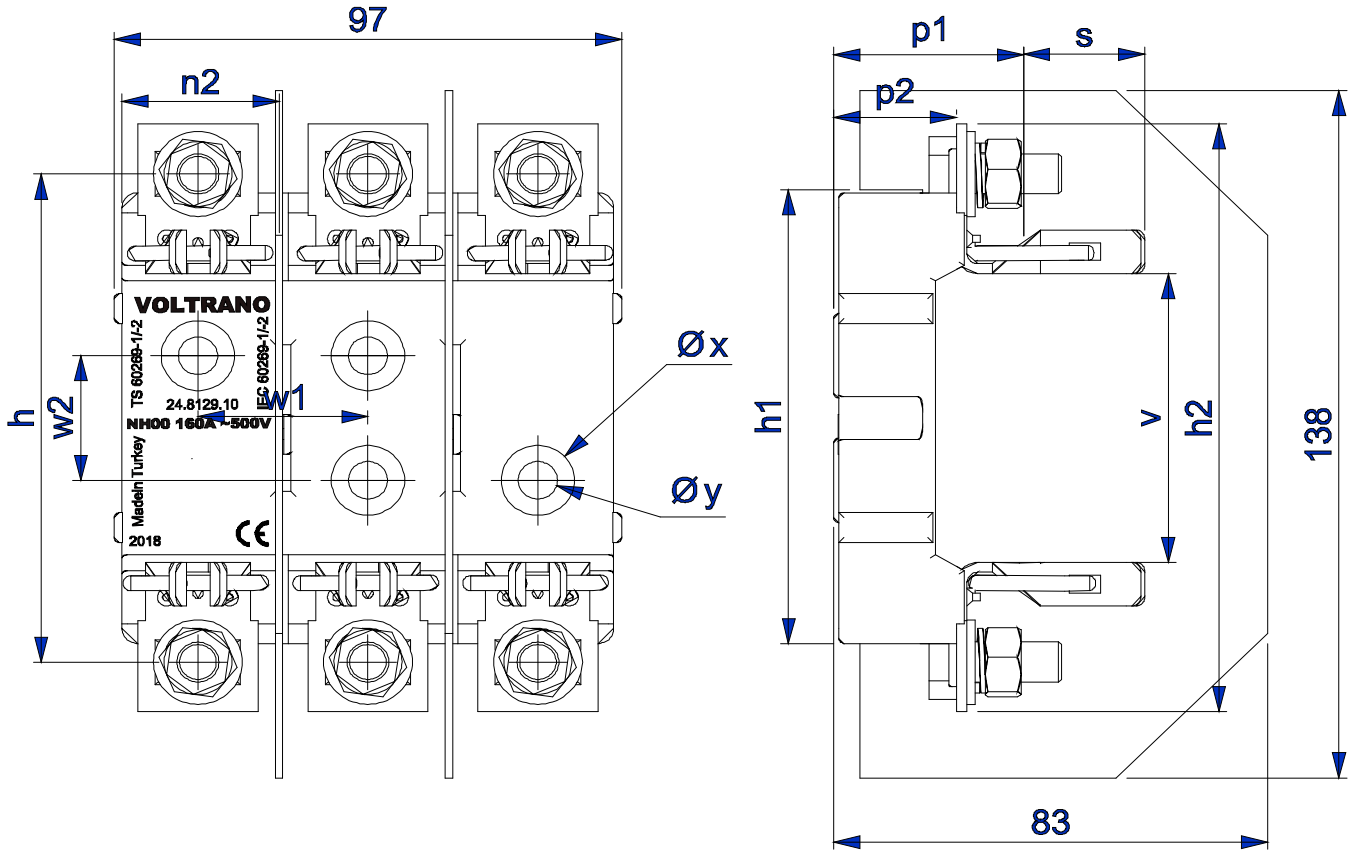
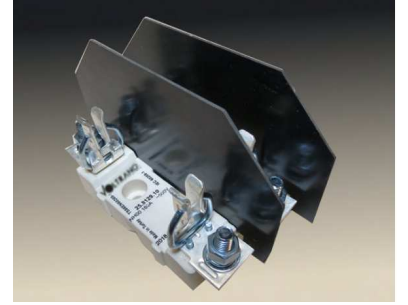
Size	In A	Poles P	Terminal	Standard Measure Type	h	h1	h2	n2	p1	p2	s	v	w1	w2	x	y
					210	---	---	83	68	35	58	80	30	25	20	10,5
					±1,5			max	mak	±1,5	max	±3	±0,7	±0,7	min	±0,5
3	630	1	M12 Screw	24.8013.50	210	153	240	54	54,5	35	43,5	80	30	25	21	11
3	630	1	M12 Screw	24.8113.50	210	153	240	57	54,5	35	43,5	80	30	25	21	11
3	630	1	M12 Screw	24.9113.50	210	153	240	57	54,5	35	43,5	80	30	25	21	11



**SIZE 00 3P LV HRC FUSE BASES**



Size	Current	Product No	Pcs/C	kg/Carton	Base body
00	160	25.8129.10	1	0,72	Ceramic

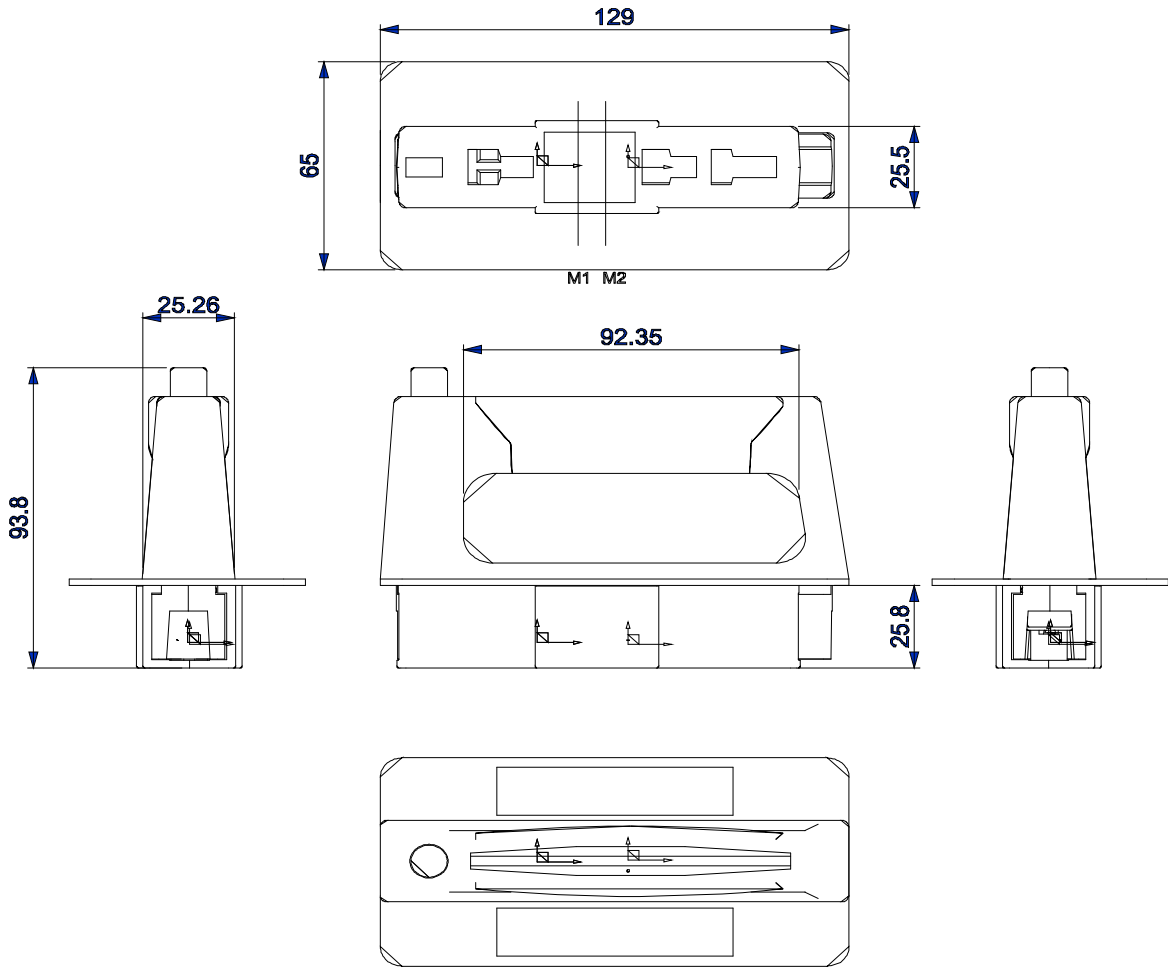


Size	In A	Poles P	Terminal	Standard Measure	h	h1	h2	n2	p1	p2	s	v	w1	w2	x	y
					±1,5	---	---	max	mak	±1,5	max	±1,5	±0,7	±0,7	min	±0,5
00	160	3	M8 Screw	25.8129.10	100	92,5	120,5	30	38	23	21	57	0	25	14	7,5

**HANDLE**



Size	Current	Product No	Pcs/C	kg/Carton	Base body
00-1-2-3		29.8023.00	1	0,23	Bakalite



Measure	Handle.L	Handle.W	Hold.W	Hold.L	Rad.1	Rad.2	Lock.L	Lock.W	Lock-H	L000/00	L0-1-2-3	M-M1	M-M2
Std Measure	130 max	65±0.5	30 max	92 min	R13,5min	R11min	125max	26max	25 min	14	16	0±3	9±5
Measured	129,00	65,00	25,00	93,00	R13,5min	R11min	123,50	25,50	26,00	14,00	16,00	0,00	10,50

ISO 9001 QUALITY MANAGEMENT SYSTEM CERTIFICATE

902089

# CERTIFICATE

No. 902089

This is to certify the Quality Management System of

**VOLTRAN ELEKTROTEKNIK SANAYI VE TICARET A.S.**  
IKITELLI OSB MARMARA SANAYI SITESI L-BLOK NO: 17  
KUCUKCEKMECE  
34307 ISTANBUL  
TURKEY

has been assessed and found to be in compliance with the Standard

## ISO 9001:2015

applicable to

**DESIGN AND PRODUCTION OF KALEPORSELEN AND VOLTRANO BRANDED HRC-LV FUSE LINKS, HRC-LV FUSE BASES, HRC-LV FUSE SWITCH DISCONNECTORS, LAMPHOLDERS LIGHTING FITTINGS, MINIATURE CIRCUIT BREAKERS, RESIDUAL CURRENT CIRCUIT BREAKERS AND DISTRIBUTION BOARDS.**

The certificate has been issued under No. **902089 (version 5)** for the registration period from 09 September 2019 to 18 January 2021. The first certificate date of issue is 19 January 2015.

Approved by  Printed by 

validity code **2105DF45-96D**  
Check the validity of this certificate using this code at [www.ll-c.info](http://www.ll-c.info)



[www.ll-c.net](http://www.ll-c.net)

LL-C (Certification) Czech Republic a.s. | Pobřežní 620/3, 186 00 Praha 8



İkitelli OSB Marmara Sanayi Sitesi  
L-Blok No: 17 34307 Küçükçekmece  
İSTANBUL

T +90 212 698 95 80  
F +90 212 698 95 97  
[www.voltranelektro.com.tr](http://www.voltranelektro.com.tr)  
[info@voltranelektro.com.tr](mailto:info@voltranelektro.com.tr)

Authorized Dealer: